

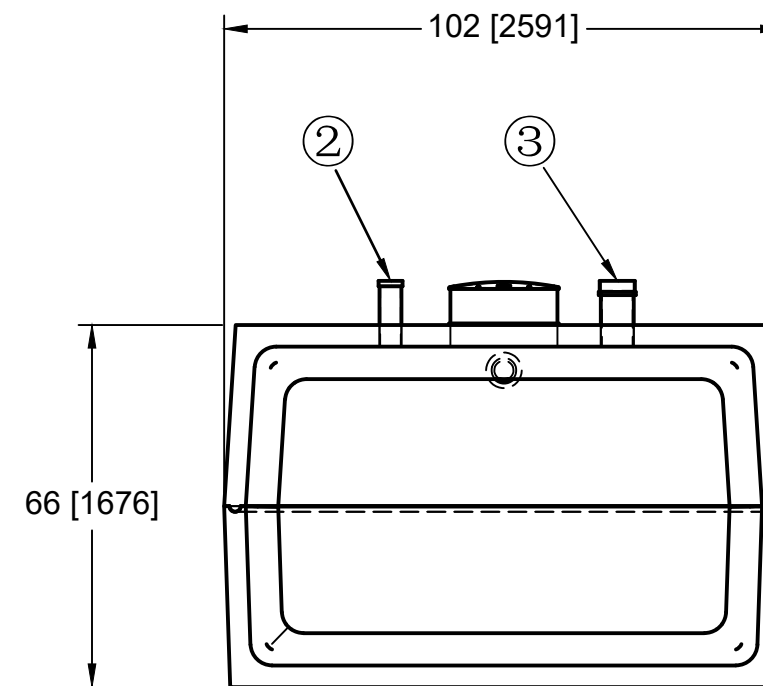
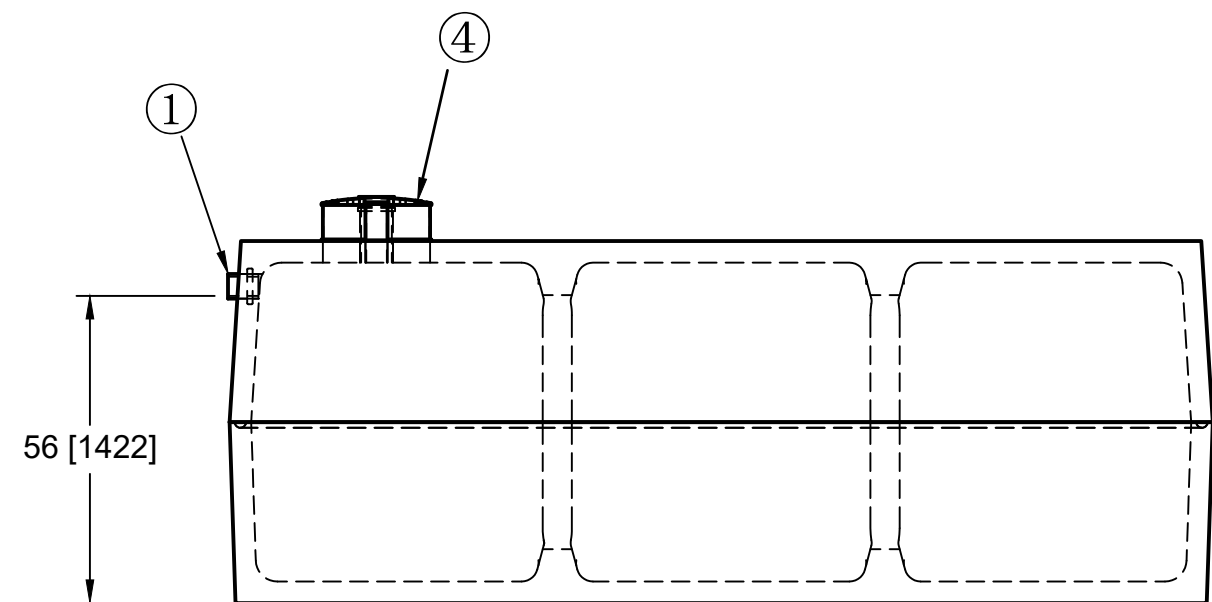
Burial Depth: Recommended max burial depth of 1 metre over top of tank lid away from vehicular travel.
Reinforcing:

10m and 15m rebar longitudinally max 10" ct, 1" cover
10m rebar laterally max 12" ctc 1" cover

Strength: 35 MpA @ 28 DAYS MIN

Air entrainment: 5-8%

Joints: Conseal 102 mastic applied at factory by Roswell Concrete



Top Weight
7.7 tons
Bottom Weight
7.6 tons
Assembled Weight
15.3 tons

**14000L (3000gal)
Holding Tank**

- 1: 4" Inlet rubber
- 2: 4" Coupler with pipe and cap
- 3: 6" Coupler with pipe and cap
- 4: 20" Diameter polylok riser